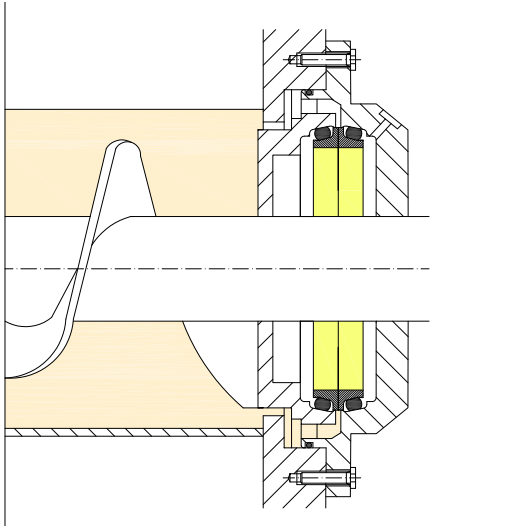


Mechanical Face Seals



MATERIALS:

- Steel / NBR
- Nit-hard Cast / NBR

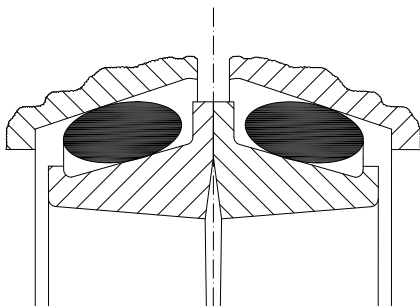
DESCRIPTION:

An axial seal for rotating movement in especially harsh environments and extreme conditions in which sand, mud, stones and earth are present, which entails considerable wear.

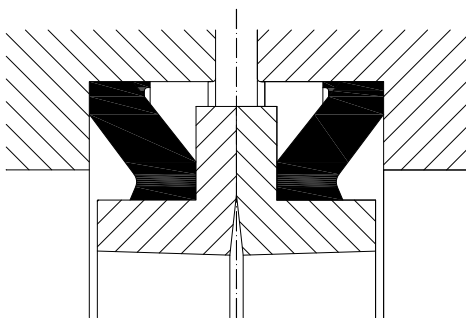
They are formed by two identical metal rings situated opposite each other through a lapped area and mounted in two separate housings. The rings are centred in the housing with an O-ring. One of the rings remains static in the housing, while the other rotates together with its housing.

APPLICATIONS:

Caterpillar-tracked vehicles, diggers, bulldozers, heavy trucks, farming machines, tunnel boring machines, mixers, agitators, wind farms, lobe pumps for highly viscous fluids, helical screw pumps, etc.

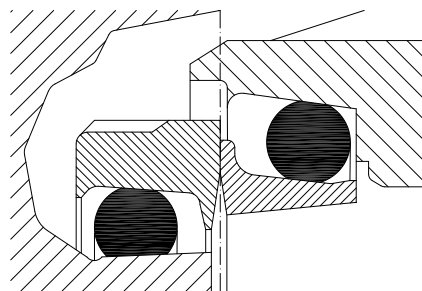


LMFS 10



LMFS 11

Cross-link elastomers. They require less space than type 10. The housing is easier to machine, but greater precision is needed. These differences, along with the geometry of the gaskets, would hamper their water-tightness and also reduce the durability of the gasket.



LMFS 12

For extremely demanding applications.

DIMENSIONS CHART

Ø interior	Ø exterior	h Assembly
38,00	51,00	20,00
38,00	51,00	20,00
45,00	58,00	21,00
46,00	59,00	20,00
48,00	62,15	25,00
55,50	70,00	22,00
55,50	70,00	22,00
60,20	73,00	20,00
64,00	78,00	25,00
67,00	80,00	20,00
63,00	80,50	26,00
63,50	82,40	32,00
71,00	84,00	20,00
67,50	86,50	31,80
77,50	88,50	15,00
68,00	89,00	24,00
71,50	91,00	29,00
73,00	92,00	32,00
79,50	92,50	20,00
81,00	98,00	28,00
79,00	100,00	30,00
80,00	100,00	29,00
83,00	102,00	28,00
90,50	104,50	26,00
88,00	108,00	24,00
90,50	109,50	32,00
95,00	111,00	24,00
103,00	117,00	20,00
100,00	119,00	32,00
99,00	120,00	28,00
104,00	125,00	28,00
107,00	125,00	24,00
107,00	125,00	24,00
110,00	128,00	32,00
114,50	129,00	21,00
120,00	138,00	32,00
120,00	138,00	32,00
120,00	139,00	31,80
118,50	139,50	28,00
117,00	140,00	29,00
127,00	140,70	25,00
127,00	141,00	29,00
127,00	141,00	29,00
127,00	141,00	29,00
120,00	142,00	38,00
125,00	144,00	31,80
127,00	146,00	32,00
127,00	146,00	31,00
135,50	154,50	28,00
143,00	156,60	25,00
143,00	157,00	27,00
143,00	160,00	27,00
150,00	167,00	28,00
154,00	168,00	27,00
155,00	168,00	27,00
154,00	168,00	27,00
154,00	169,00	22,00
154,00	169,00	22,00
154,00	170,00	21,00
153,00	171,50	28,00
146,00	172,00	38,00
150,00	172,00	40,00
154,00	173,50	32,00
165,00	180,50	27,00
165,00	181,00	27,00
171,30	185,30	20,00
164,00	189,00	30,00
163,00	191,50	38,00
172,00	194,40	31,80
176,00	195,00	28,00
178,00	199,00	32,00
177,00	200,00	30,00
177,00	200,00	30,00

Ø interior	Ø exterior	h Assembly
178,00	205,00	38,00
192,00	209,00	30,00
191,00	210,00	28,00
182,00	210,50	38,00
195,00	216,50	31,80
205,00	227,00	30,00
205,00	227,00	30,00
208,70	222,80	26,00
200,00	228,50	38,00
216,00	237,00	30,00
220,00	239,50	31,80
220,00	241,40	25,00
223,00	251,50	38,00
235,00	259,70	38,00
238,00	261,00	31,80
240,00	262,80	38,00
242,00	262,80	38,00
250,00	270,00	30,00
252,00	280,50	38,00
262,00	288,00	40,00
265,00	293,00	38,00
275,00	303,00	38,00
300,00	328,00	38,00
300,00	324,65	38,00
300,00	325,00	38,00
300,00	328,00	38,00
318,00	341,00	38,00
318,00	346,00	38,00
318,00	346,00	40,00
326,00	354,00	30,00
340,00	368,50	38,00
350,00	375,00	38,00
355,00	375,00	38,00
366,00	394,40	38,00
366,00	394,40	40,00
370,00	398,00	38,00
382,00	405,00	40,00
388,00	415,00	38,00
388,00	416,20	38,00
430,00	457,00	38,00
430,00	459,20	38,00
450,00	480,00	50,00
465,00	495,00	43,60
465,00	497,20	43,60
470,00	500,00	50,00
505,00	533,40	43,60
505,00	535,80	43,60
508,00	548,00	60,00
530,00	560,00	50,00
538,00	566,80	43,60
559,00	590,00	50,00
576,00	608,00	43,60
581,50	608,00	43,60
591,00	623,00	50,00
596,00	628,00	50,00
660,00	695,00	53,00
667,00	700,00	43,60
667,00	700,00	50,00
718,00	750,00	50,00
834,00	886,00	80,00
902,00	941,00	60,00
890,00	951,00	80,00
920,00	976,00	80,00

Dimensions for LMFS 10.
For the types LMFS11 and LMFS12, please, consult.